



# Gunnebo SlimStile BA Lite

Tripod Turnstile for Internal Installation

# Gunnebo SlimStile BA Lite

## Tripod Turnstile for Internal Installation

Tripod Turnstiles are compact and cost-effective solutions, suitable for areas where there is a large flow of people. This product is a pedestal mounted stainless steel and aluminium tripod turnstile with a small footprint. Ease of use, reliability and robustness are key benefits of this product. Passage in both directions is electronically controlled. Direction is shown clearly to users with indicators. Unit locking prevents simultaneous passage by two people.

### Drive

Hand-operated, bidirectional.

### Materials

**Casework:** Galvanised painted steel 430

**Casework lid:** Stainless Steel AISI 304 (1.4301 as for EN 10088-1)

**Tripod hub:** Cast aluminium with painted grey finish

**Tripod arms:** 38mm dia. 480mm 304 Stainless Steel AISI 304 (1.4301 as for EN 10088-1), with welded end caps

### Mechanism

Electro-mechanical head mechanism:

- Self-centering mechanism to ensure complete rotation into the home position
- Anti-backup device to prevent reverse rotation once the mechanism has moved from 60° from home

### Power Failure / Fire Alarm

- Either one or both directions can be fail-safe (standard), i.e. rotates freely, or fail lock, i.e. locks in the home position
- Fire alarm – emergency input. Input facility available for free voltage contact to effect fail-state
- Mechanism fail state will be the same as power failure choice
- Drop arm option: the horizontal arm drops to create passage for evacuation
- Static hub option: free rotation

### Interface

LL2001Lite microprocessor control logic:

- One input for opening/locking in each direction
- Two protected outputs controlling opening/locking
- Four protected outputs piloting way mode indicators
- Two protected outputs counting passage in either direction
- Two OV output relays indicating availability of use or counting passage in either direction
- Two open collector NPN outputs to count passage or to indicate availability of use in either direction or activate the optional drop arm
- Features a Serial Port – RS485

### Models

- SlimStile BA Lite Drop Arm
- SlimStile BA Lite Static Arm

### Options

Surface mounted card reader drilling

---

Way mode Indicator

---

Electro-mechanical counter

---

### Benefits

- Pedestal mounted
- Ease of use
- Reliability, robustness
- Bi-directional passage, electronically controlled

### Applications

Government

---

Retail

---

Finance

---

Telecommunications

---

Banking

---

Publishing

---

Leisure and Entertainment

---

Petrochemical

---

Education

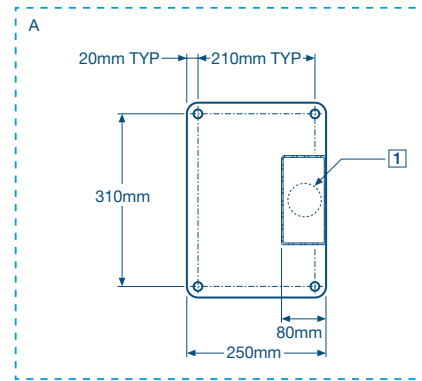
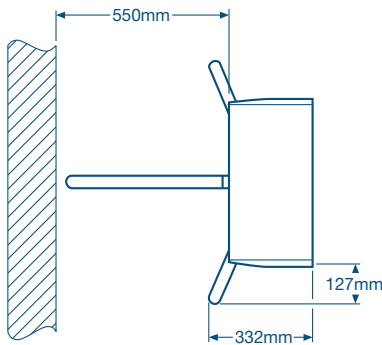
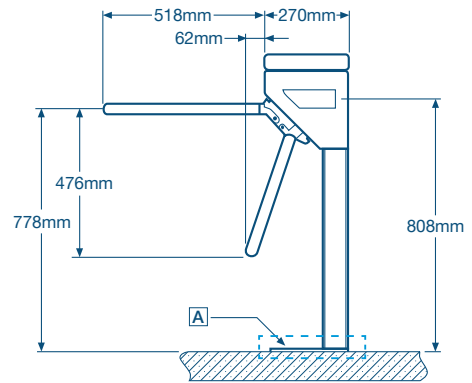
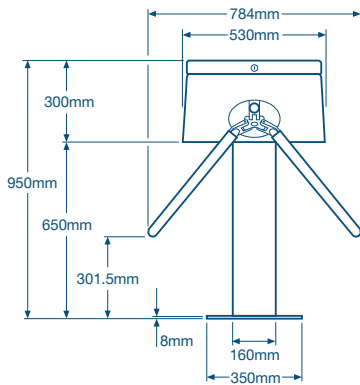
---

Public Toilets

---

# Dimensions

## Pedestal Mounted



A. Zoomed in area. 1. Cable access.

## Technical Data

Dimensions	See details on next page
Power Supply	230Vac 50 Hz or 115Vac 60 Hz
Power Rating	50VA (stand by 5VA if Normally Open)
Operating Temperature	-5 to +50°C (RH 95% not condensing)
IP rating / MCBF / MTTR	IP 44 / 10M (12M if NO) cycles / less than 30 min
Flow Rates (approx)	Proximity Reader "Hands Free", 40 passages per minute

Product is delivered fully assembled and may require lifting equipment. Approx. weight 40kg.

For installation details, please refer to the installation manual. Concrete Base to specification at least fck (cube) 300N/mm<sup>2</sup> of resistance. Base to be flat and level to +/- 5mm over footprint area. Dimensions to be > 700mm x 500mm x 150mm deep minimum.

**Important:** Any horizontal pipe or conduit running below the Tripod Turnstile must be at least 140mm below FFL. Metal conduit for cables should be raised at least 50mm from foundation. It is the customer's responsibility to ensure the structural integrity and strength of the installation location. The dimensions given in this Product Data Sheet are for information only. In order to prepare the installation site, please refer to your usual Gunnebo Customer Service contact.

**Conditions of use:** When using Gunnebo's security access control gates, for security and safety reasons, children must be supervised by an adult at all times.

# Gunnebo SlimStile BA Lite



Take advantage of our knowledge:  
[www.gunneboentrancecontrol.com](http://www.gunneboentrancecontrol.com)

**GUNNEBO**®